

# Material Lifts

## Super Tower™

### Specifications

Models	ST™ -20		ST-25	
Measurements	US	Metric	US	Metric
<b>A</b> Height - stowed	6 ft 6.75 in	2.2 m	6 ft 6.75 in	2.2 m
<b>B</b> Length - stowed	2 ft 1.25 in	.64 m	2 ft 1.25 in	.64 m
<b>C</b> Width - stowed	1 ft 10 in	.56 m	1 ft 10 in	.56 m
<b>D</b> Load height minimum	6 in	.15 m	6 in	.15 m
<b>E</b> Ground clearance - center	2 in	.05 m	2 in	.05 m
Working height - forks up	21 ft 2.5 in	6.46 m	26 ft .5 in	7.94 m
- forks down	19 ft 6 in	5.94 m	24 ft 4 in	7.42 m

### Productivity

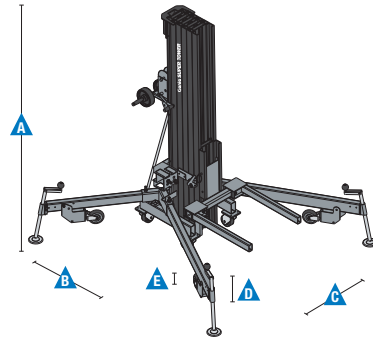
Load capacity - at 18 in load center	800 lbs	363 kg	650 lbs	295 kg
Length - adjustable forks	27.5 in	.70 m	27.5 in	.70 m
Width - adjustable forks	11.5–30 in	.29–.76 m	11.5–30 in	.29–.76 m
Fork extensions detached each (l/w/d)	30/2/3 in; 4.5 lbs	76/5/8 cm; 2 kg	30/2/3 in; 4.5 lbs	76/5/8 cm; 2 kg
Fork extensions attached each (l/w/d)	25/2/3 in; 4.5 lbs	64/5/8 cm; 2 kg	25/2/3 in; 4.5 lbs	64/5/8 cm; 2 kg
Weight - adjustable forks	52.5 lbs	24 kg	52.5 lbs	24 kg
Outrigger footprint	73.5 x 79.5 in	1.87 x 2.02 m	73.5 x 79.5 in	1.87 x 2.02 m
Casters	standard casters		standard casters	

### Power

Average cranks: standard winch	8.5 cranks/ft	27.8 cranks/m	8.5 cranks/ft	27.8 cranks/m
--------------------------------	---------------	---------------	---------------	---------------

### Weight\*

	507 lbs	230 kg	555 lbs	252 kg
--	---------	--------	---------	--------



\* Weight will vary depending on options and/or country standards.

### Features

#### Standard Features

##### Measurements

###### ST™-20

- 21 ft 2.5 in (6.46 m) maximum lifting height
- Up to 800 lbs (363 kg) load capacity

###### ST-25

- 26 ft .5 in (7.94 m) maximum lifting height
- Up to 650 lbs (295 kg) load capacity

##### Productivity

- Use as a single unit, or two or more can be used together to support trusses
- Flat black anodized finish is nearly invisible to audience
- Portable and compact design
- Lightweight, durable aluminum construction
- Single-door access
- Easy set-up with no tools required
- Durable steel forks
- Winch locks load in place
- Easy to transport—no bulky base
- Hold-down mechanism secures carriage during transport

##### Power

- One-speed manual winch
- Reversible winch handle for easy storage

#### Options & Accessories

##### Fork Options

- Load platform
- Fork extensions

##### Power Options

- Two-speed manual winch (available aftermarket only)



#### Genie United States

18340 NE 76th Street  
P.O. Box 97030  
Redmond, Washington 98073-9730  
Telephone +1 (425) 881-1800  
Toll Free in USA/Canada +1 (800)-536-1800  
Fax +1 (425) 883-3475

#### Distributed By:

Effective Date: January, 2014. Product specifications and prices are subject to change without notice or obligation. The photographs and/or drawings in this document are for illustrative purposes only. Refer to the appropriate Operator's Manual for instructions on the proper use of this equipment. Failure to follow the appropriate Operator's Manual when using our equipment or to otherwise act irresponsibly may result in serious injury or death. The only warranty applicable to our equipment is the standard written warranty applicable to the particular product and sale and we make no other warranty, express or implied. Products and services listed may be trademarks, service marks or trade names of Terex Corporation and/or their subsidiaries in the USA and many other countries. Genie is a registered trademark of Terex South Dakota, Inc. © 2014 Terex Corporation.